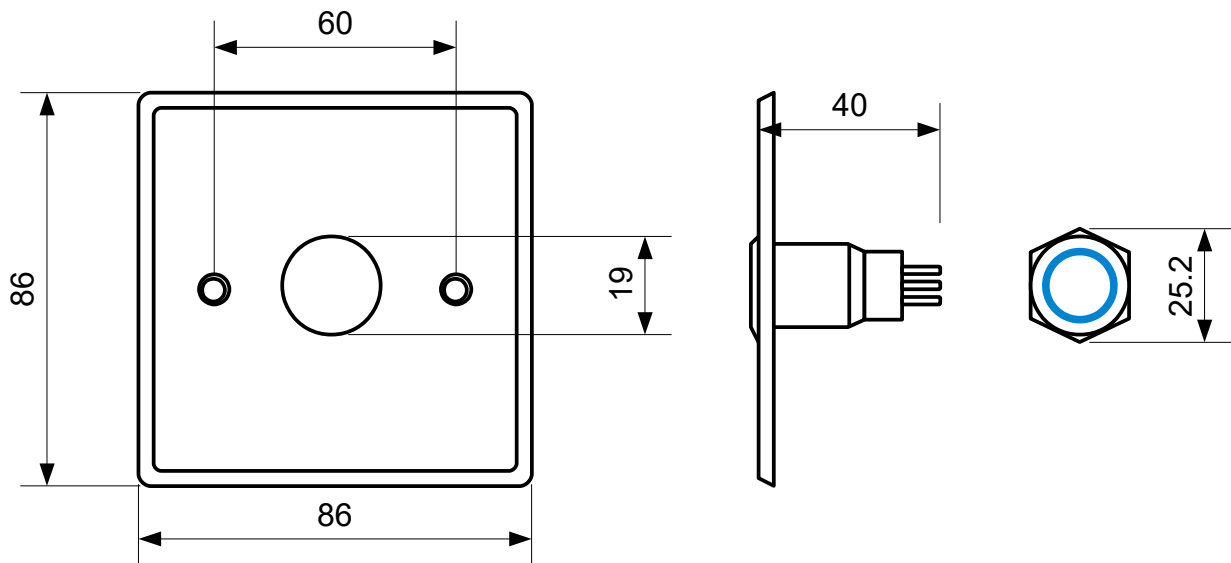


Tekniset tiedot






| | |
|-------------------------|-------------------|
| Käyttöjännite | 12-24VDC |
| Kosketintoiminto | COM / NC / NO |
| Mitat | 86 x 86 x40mm |
| Koskettimen virrankesto | 3A / 36VDC |
| Materiaali | Ruostumaton teräs |
| Led indikaatio | Sininen |
| Paino | 150g |



Mitat (mm)



Kytkenä

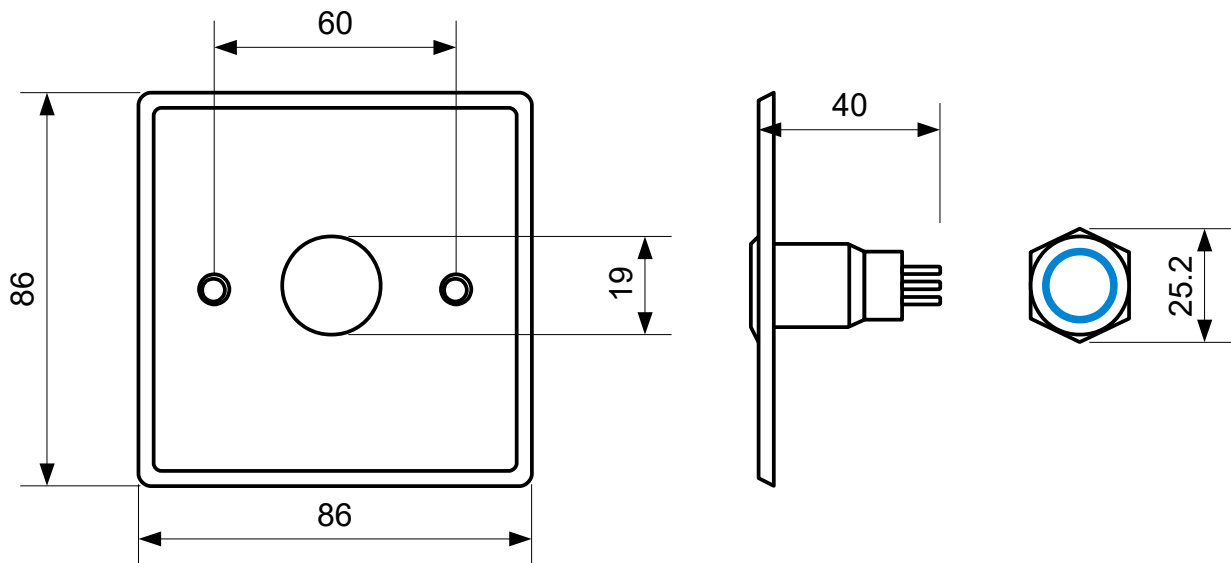
| | | |
|-----------|---|-----------|
| Punainen |  | +12-24VDC |
| Musta |  | - GND |
| Vihreä |  | NO |
| Keltainen |  | COM |
| Valkoinen |  | NC |

Specifications

| | |
|------------------------|-----------------|
| Operating voltage | 12-24VDC |
| Contact function | COM / NC / NO |
| Dimensions | 86 x 86 x40mm |
| Contact current rating | 3A / 36VDC |
| Material | Stainless steel |
| Led indication | Blue |
| Weight | 150g |



Dimensions (mm)



Wiring

| | |
|--------|-----------|
| Red | +12-24VDC |
| Black | - GND |
| Green | NO |
| Yellow | COM |
| White | NC |