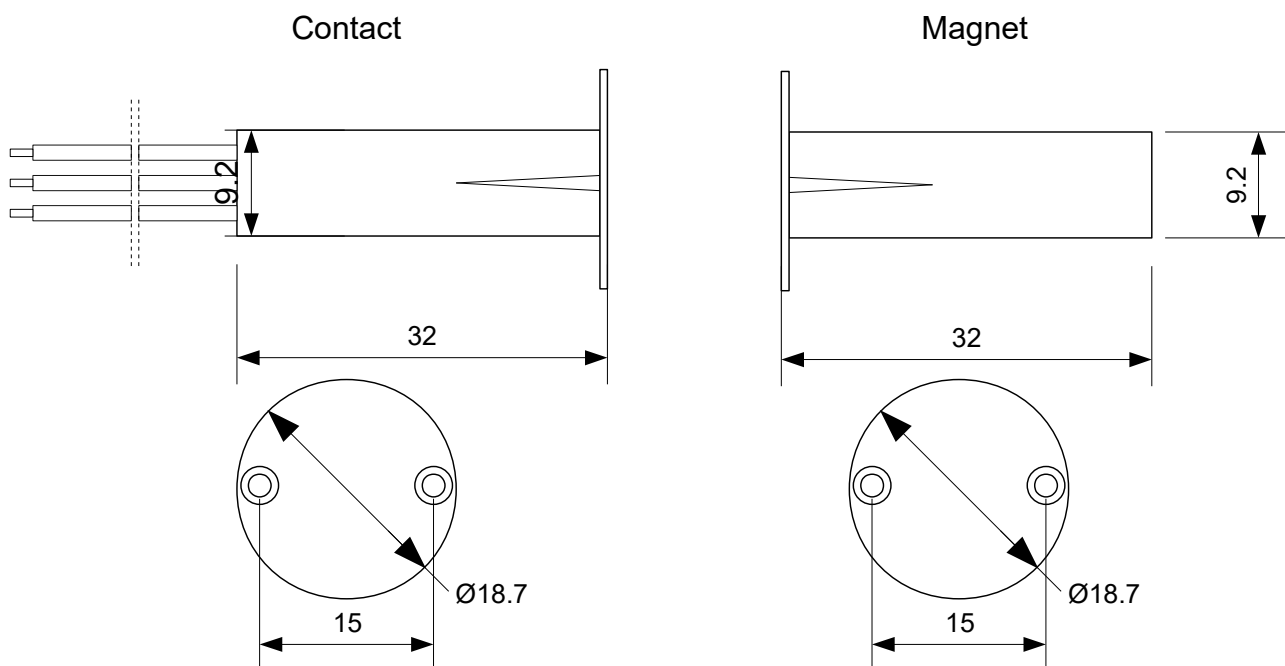


Specifications

Model	MK-100M2
Contact function	2 pcs changeover contact
Voltage	max. 30VDC
Current rating	200mA
Operating gap	17±2 mm
Dimension	Contact 32 x 18,7mm Magnet 32 x 18,7mm
Installation hole	ø9,5mm
Operating temperature	-20°C - +70°C



Dimensions (mm)



Wiring

