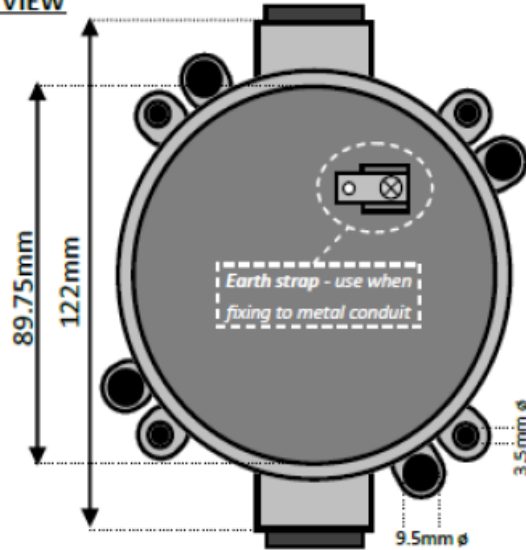
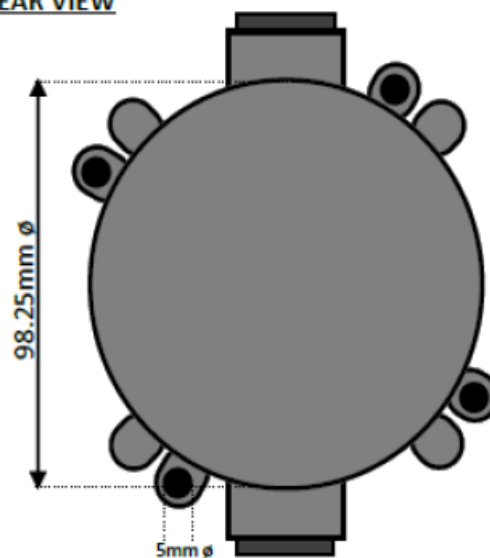


BACK
BOX

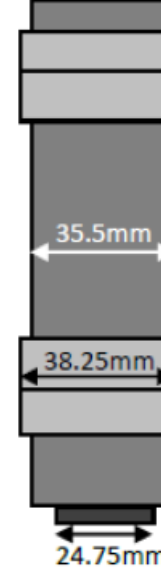
FRONT VIEW



REAR VIEW



SIDE VIEW

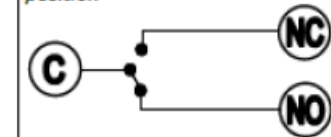


DESCRIPTION

Weatherproof Surface call point

POLES

Single, Double, Triple, Quadruple
Common, N/O, N/C wiring on pole as below
Diagram shows call point in set, untriggered position



ACTIVATION

Microswitch/resettable plate
Microswitch/"Like glass" insert
Microswitch/Real glass insert
Key provided

WATERPROOFING

Twin O ring sealed cable entry
Waterproof activation microswitch
Large O ring seal between back box & front
IP67 rated

LED

Optional

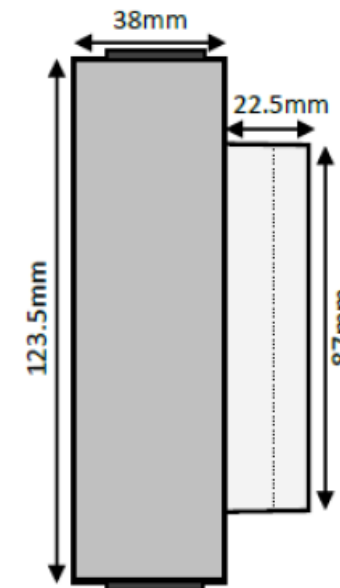
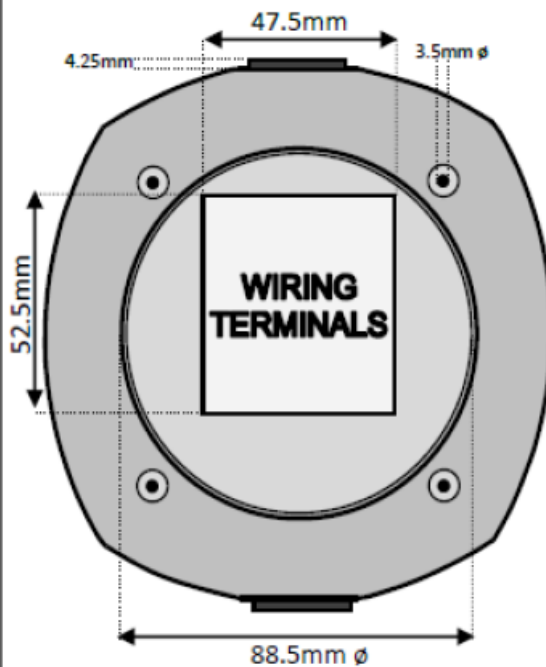
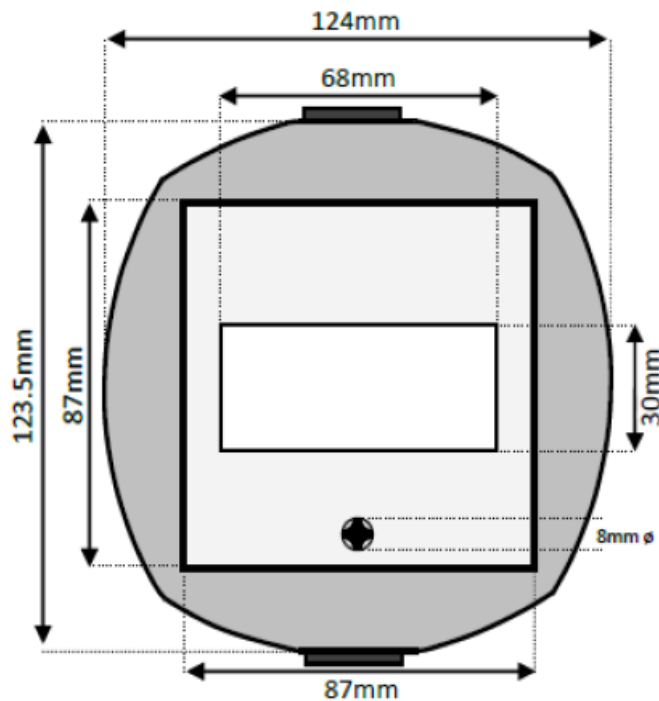
TEMPERATURE RANGE

-40 to +85 degrees Celsius

ELECTRICALLY RATED AS FOLLOWS

50 Volts DC/5A
250 Volts AC/3A

CALL
POINT
FRONT



NERIVAL

Toimivia Ratkaisuja jo 20 Vuotta

PL 31
02361 Espoo
Puh. 09-813 4571
Fax. 09-802 1386

Drawing #: W/PROOF
Drawn: T.T
Date: 01/02/2017
Revision: 1

All dimensions in mm
Do not scale

