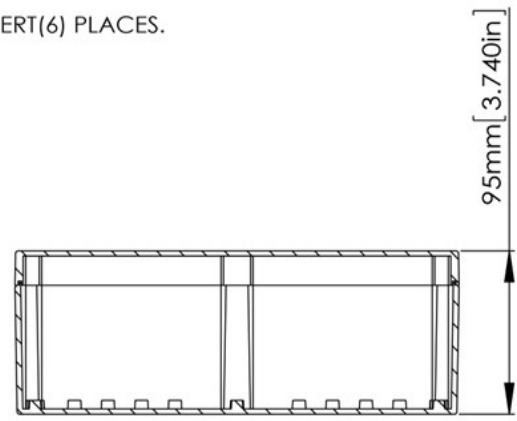
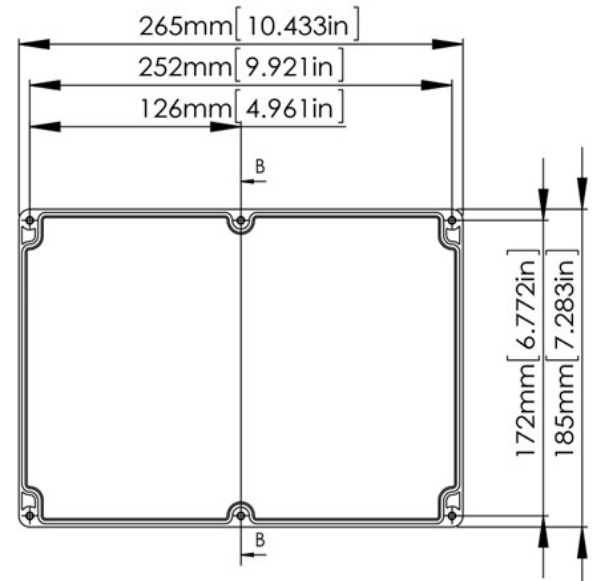
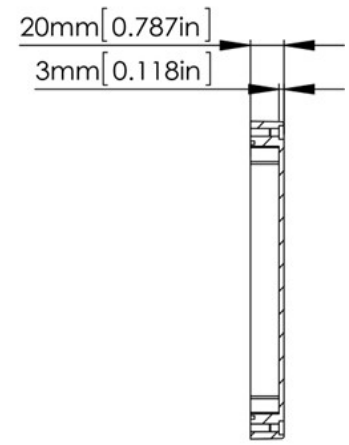


SECTION A-A
SCALE 1 : 3

M3X5 LG, THREADED INSERT (4) PLACES.
M4X8 LG, THREADED INSERT (6) PLACES.



ASSEMBLY



SECTION B-B
SCALE 1 : 3