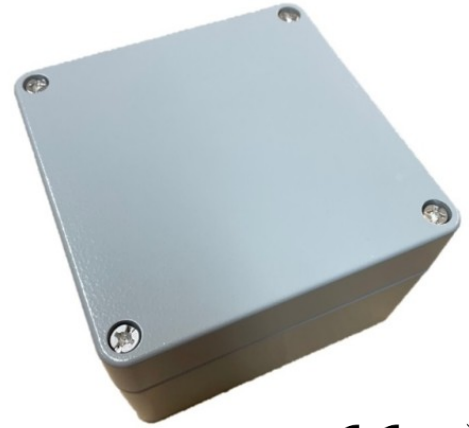


# Aluminum enclosure AKR160

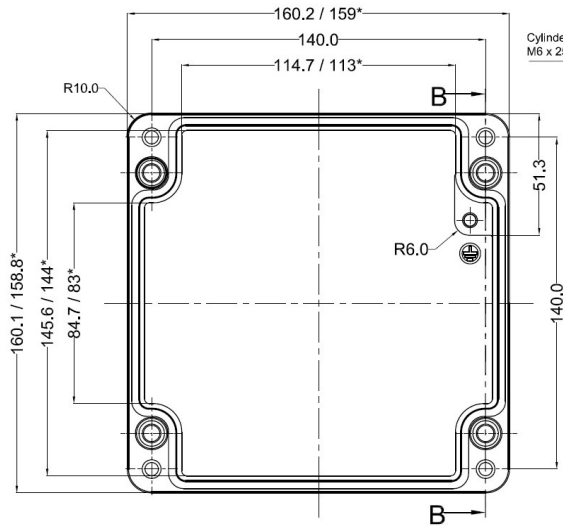
## 160x160x90mm

### Technical specifications

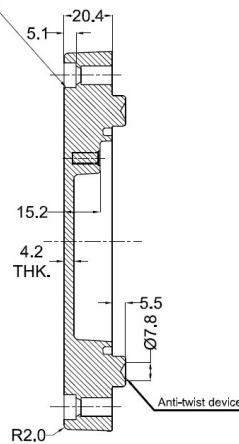
Material	AlSi 12, as per DIN EN 1706
Colour	Gray RAL 7001
Protection	IP66 as per IEC 60529
Gasket	Neoprene Gasket
Lid Screw	Stainless Steel 1.4301 (A2), captive - M6
Tightening Torque	3 to 4 Nm
Impact Strength	Impact Energy 10 Joules - IK 09 EN 60068-2-75
Service Temperature	-40°C to +100°C
Surface	Painted
Components	Fastening threads M6 in the enclosure bottom
Process Control System	ISO 9001 - 2015, IEC 80079 - 34 - 2011
Weight	1538g



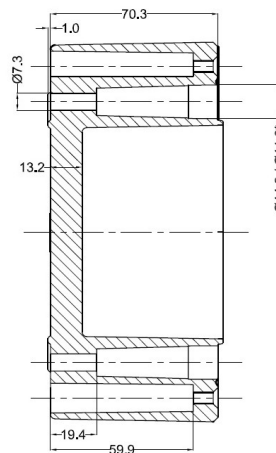
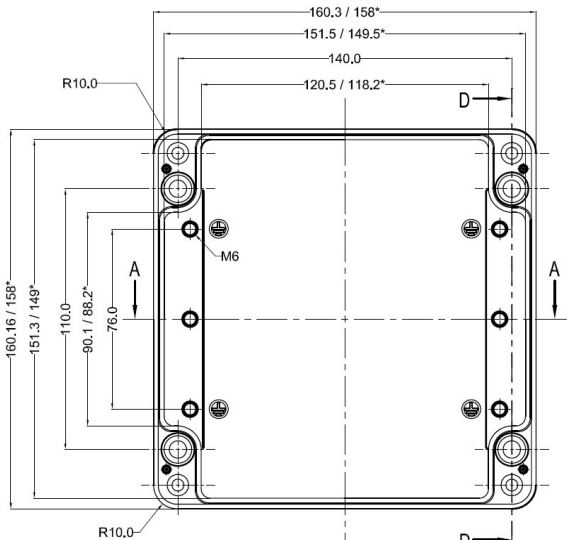
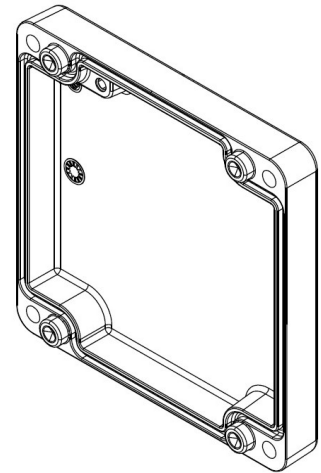
### Dimensions



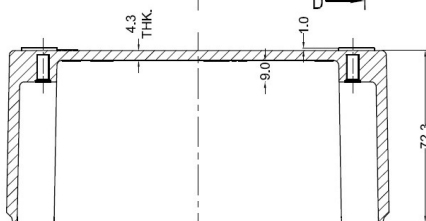
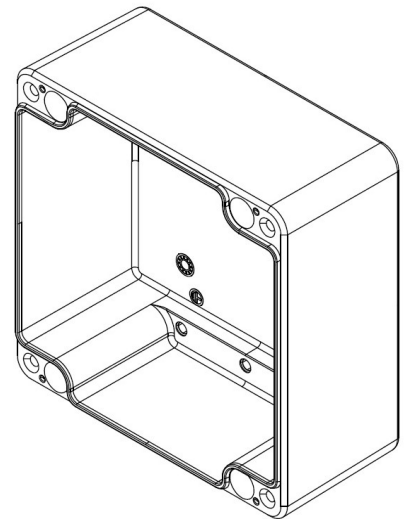
Cylinder Screw  
M6 x 25/10 similar to DIN 84



SECTION B-B



SECTION D-D



SECTION A-A