

PB24 EXTERNAL BATTERY UNIT INSTALLATION

OVERVIEW

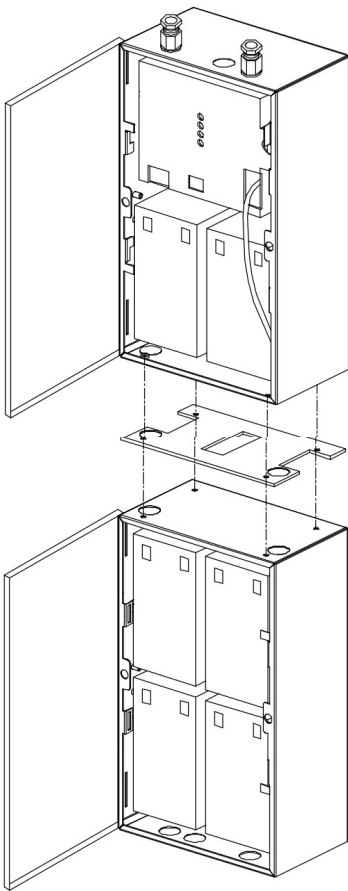
PB24 battery unit can be mounted either under or besides with PSU2410A unit. If the unit is placed under PSU2410A, it must be mounted on the wall because of the weight of batteries. In this case a distance plate must be installed between units, so that the doors can be closed.

BATTERY INSTALLATION AND ELECTRICAL CONNECTION

Install batteries according to the figures below. Set the battery holders convex side outside. Lock the battery holders by bending the locking plate inside. Thread the wires (black and red) according to the picture. The electrical connection is described on the PB24 door label.

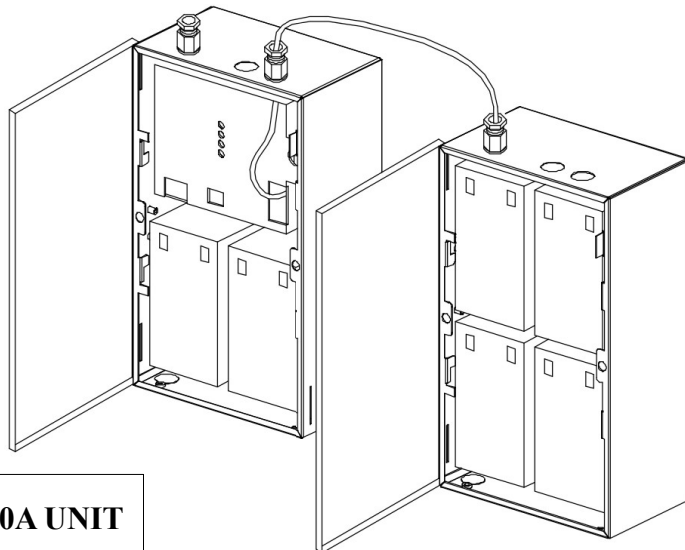
TESTING AND SET UP

Connect PSU2410A to mains. Check that the green led is illuminating in the PSU2410A charger unit. The battery voltage should be in each battery about 13,5V. Mount the PB24 door the direction as in the PSU2410A unit. Mark the *Installation date* on the door label.



WALL MOUNTING UNDER PSU2410A UNIT

To help drilling, you can use the *Wall assembly* instructions. Disconnect the PSU2410A unit from mains before installation. Place the PB24 case with the cooling holes upside. Break the right side holes open for battery wires both on PSU2410A and PB24 units. Place the distance plate between units so that the cable holes are open. Mount the PSU2410A and PB24 units with M4x10 screws (4 pcs) to each other from up- and downward. Mount also the case to wall with plate screws (4 pcs). Thread the battery wires through open holes.



WALL MOUNTING BESIDES PSU2410A UNIT

Place the case so that the open holes are above. Mount the cable entry on the left side hole, and the covering plug to the right side hole. Mount the PB24 unit on the right side of PSU2410 unit at least 20mm distance, so that the PB24 door can be opened. To help drilling, you can use the *Wall assembly* instructions. Thread the battery wires through cable entries.

WARNING!
DO NOT SHORT CIRCUIT THE BATTERIES!
RECYCLE USED BATTERIES!